

## ■ H Series Diesel Forklift



## ■ Technical Features

### Safe & Green

- Protective measures are provided for the parking brake.
- The cushioned cylinders are adopted for working devices and lines are rearranged to increase the field of sight and to improve the operation safety.
- The fork carrier made of J-type steel channels with composite rollers is used for vehicles of 2-3.5t to stabilize the starting and to provide high strength.
- The center of gravity is much optimized to provide favorable bearing capability and stability.
- Conical sealing is adopted for the rubber pipes and joints in the hydraulic lines, which enjoys satisfactory sealing effect and no oil leak for long.
- Independent main side roller guide structure is adopted for the mast to improve its reliability and stability significantly during mast lifting.

### Comfortable & Efficient

- The complete vehicle enjoys a simple and smooth appearance and a fresh and attractive tone.
- The middle exhaust tailpipe is installed to effectively prevent dust raising due to low exhaust.
- The overhead guard is heightened to further improve the operator's driving space.
- The roof is the formed part through one-time stamping and equipped with 5 transparent plastic covers, providing favorable lighting and rain-proofness.
- The international advanced ergonomic technology is adopted, the operation system design is optimized and the tilting cylinder is lowered down to further increase the driver's operating room.



## ■ Technical Parameters

### ■ Characteristics:

Specifications		FD20H	FD25H	FD30H	FD35H
Power	-	Diesel	Diesel	Diesel	Diesel
Transmission	-	Hydraulic	Hydraulic	Hydraulic	Hydraulic
Rated capacity	kg	2000	2500	3000	3500
Center of load	J (mm)	500	500	500	500
Lifting height	h1 (mm)	3000	3000	3000	3000
Free lifting height	h3 (mm)	135	135	145	160
Forks (L × W × H)	L5 × W × T (mm)	1070 × 122 × 40	1070 × 122 × 40	1070 × 125 × 45	1070 × 125 × 50
Tilt forward/backward	°	6/12	6/12	6/12	6/12
Min. turning radius	R1 (mm)	2240	2240	2410	2445
Min. ground clearance (Mast)	m (mm)	110	110	110	120
Overhead guard height	h4 (mm)	2090	2090	2130	2090
Height from seat to overhead guard	L3 (mm)	1005	1005	1000	1005
Front overhang	L4 (mm)	473	473	483	488

### ■ Performance:

Specifications		FD20H	FD25H	FD30H	FD35H
Max. travelling speed (loaded)	km/h	19	19	20	20
Max. lifting speed (loaded/empty)	mm/s	490/510	490/510	470/520	470/520
Drawbar pull/Gradeability	kN/%	17/20	17/20	18/20	18/20

### ■ Dimensions:

Specifications		FD20H	FD25H	FD30H	FD35H
Overall length (without fork)	L1 (mm)	2570	2570	2705	2746
Overall width	W1 (mm)	1160	1160	1230	1230
Mast lowered height	h2 (mm)	1990	1990	2055	2095
Mast extended height	mm	4000	4000	4256	4256

## Chassis:

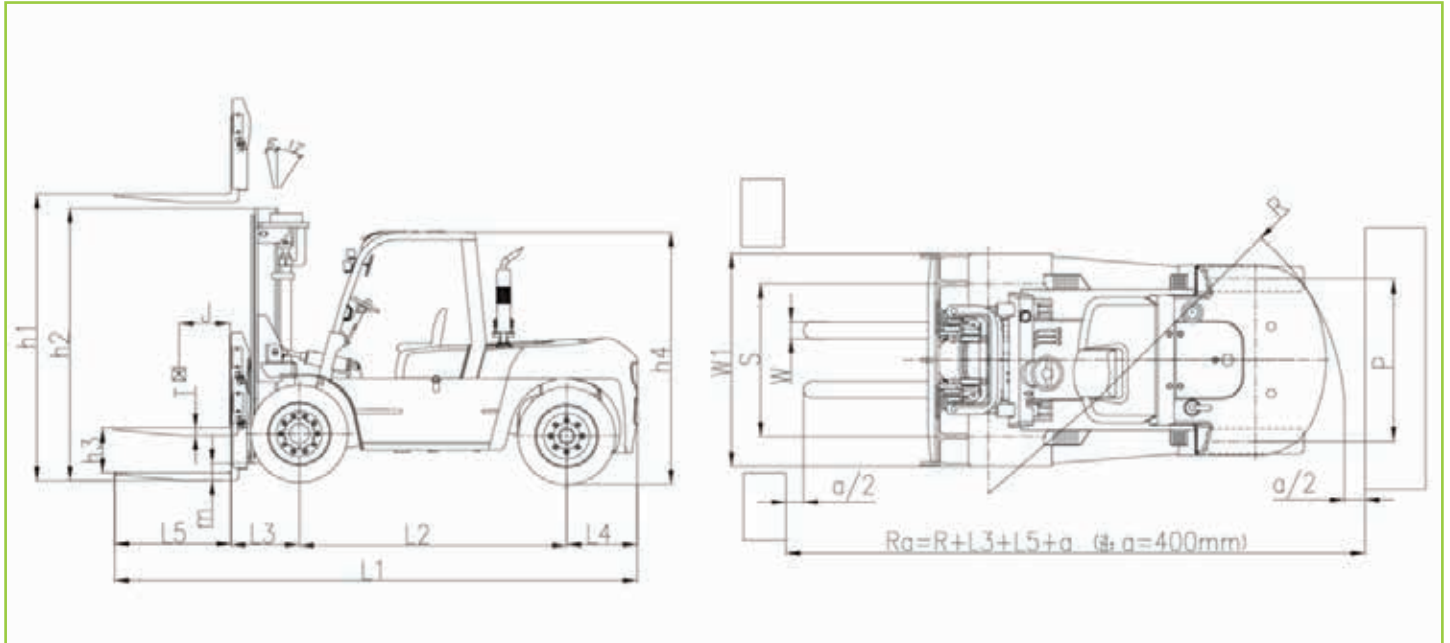
Specifications			FD20H	FD25H	FD30H	FD35H
Tire	Front	-	7.00-12-12PR	7.00-12-12PR	28x9-15-12PR	28x9-15-12PR
	Rear	-	6.00-9-10PR	6.00-9-10PR	6.50-10-10PR	6.50-10-10PR
Wheelbase	L2 (mm)		1600	1600	1700	1700
Tread width (Front/Rear)	S/P (mm)		970/970	970/970	1000/970	1000/970
Curb weight (None-load)	kg		3350	3800	4350	4850

## Powertrain:

Specifications			FD20H	FD25H	FD30H	FD35H
Battery (Voltage/Capacity)	V/Ah		12/90	12/90	12/90	12/90
Engine	Model	-	C240PKJ	C240PKJ	C240PKJ	C240PKJ
	Rated power	kW/r.p.m	34.3/2500	34.3/2500	34.3/2500	34.3/2500
	Rated torque	Nm/r.p.m	137.7/1800	137.7/1800	137.7/1800	137.7/1800
	Cylinder ammount	-	4	4	4	4
	Bore x stroke	mm	86 x 102	86 x 102	86 x 102	86 x 102
	Displacement	L	2.369	2.369	2.369	2.369
Fuel tank	L		60	60	70	70
Transmission	-		Automatic	Automatic	Automatic	Automatic
Working pressure	MPa		17.5	17.5	17.5	17.5

Standard configuration				Options	Attachment	
<ul style="list-style-type: none"> <li>• Wideview mast</li> <li>• Standard fork</li> <li>• Standard seat</li> <li>• Handle</li> <li>• Timer</li> <li>• Backrest</li> <li>• Light switch</li> <li>• Toolbox</li> <li>• Rubber pad</li> <li>• Tornado air filter</li> </ul>	<ul style="list-style-type: none"> <li>• 2 piece multi valve</li> <li>• Rear lamp</li> <li>• Neutral indicator</li> <li>• Electric horn</li> <li>• Turning signal</li> <li>• Service brake</li> <li>• Traction pin</li> <li>• Headlamp</li> <li>• Parking brake</li> <li>• Rearview mirror</li> </ul>	<ul style="list-style-type: none"> <li>• Speed limit valve</li> <li>• Engine flameout device</li> <li>• Oil pressure indicator</li> <li>• Durable pneumatic tire</li> <li>• Key switch</li> <li>• Overhead guard</li> <li>• Reversing light</li> <li>• Reversing buzzer</li> <li>• Hydraulic oil return filter</li> <li>• Hydraulic oil intake filter</li> </ul>	<ul style="list-style-type: none"> <li>• Hydraulic powered steering</li> <li>• Adjustable steering wheel</li> <li>• Upper air intake device</li> <li>• Tilt oil passage self-locking valve</li> <li>• Water temperature gauge</li> <li>• Combined instrument panel</li> <li>• Hydraulic oil level gauge</li> <li>• Lifting &amp; tilting handle</li> </ul>	<ul style="list-style-type: none"> <li><input type="checkbox"/> Cab</li> <li><input type="checkbox"/> Heater</li> <li><input type="checkbox"/> Solid tyre</li> <li><input type="checkbox"/> Rear light</li> <li><input type="checkbox"/> Mini fan</li> <li><input type="checkbox"/> Double filter</li> <li><input type="checkbox"/> File clip</li> <li><input type="checkbox"/> Windshield</li> <li><input type="checkbox"/> Luxury seat</li> <li><input type="checkbox"/> High exhaust</li> </ul>	<ul style="list-style-type: none"> <li><input type="checkbox"/> Fire extinguishing muffler</li> <li><input type="checkbox"/> Rotary work alarming light</li> <li><input type="checkbox"/> Fire extinguisher</li> <li><input type="checkbox"/> Engine preheater</li> <li><input type="checkbox"/> Optional painting</li> <li><input type="checkbox"/> Tilt cylinder dust cover</li> <li><input type="checkbox"/> Two/three stage full-free mast</li> <li><input type="checkbox"/> Double front tire and protector</li> <li><input type="checkbox"/> Exhaust smoke purification muffler</li> </ul>	<ul style="list-style-type: none"> <li><input type="checkbox"/> Side shifter</li> <li><input type="checkbox"/> Fork positioner</li> <li><input type="checkbox"/> Hinged fork</li> <li><input type="checkbox"/> Carpet boom</li> <li><input type="checkbox"/> Extended fork</li> <li><input type="checkbox"/> Fork cover</li> <li><input type="checkbox"/> Lifting boom</li> <li><input type="checkbox"/> Paper roll clamp</li> <li><input type="checkbox"/> Bare clamp</li> <li><input type="checkbox"/> Rotator</li> <li><input type="checkbox"/> Barrel clamp</li> </ul>

## ■ 2D Graph



This document is not contractual - The **TANEKO**<sup>®</sup> company reserves the right to modify any of the characteristics stated in this document without notice, in a constant effort to improve the quality of its products. \*ISO 8528.

Weights and dimensions based on standard products. Illustrations may include optional equipment.

Technical data described in this catalogue correspond to the available information at the moment of printing.

