

# ZOOMLION

Distributed by:



## ■ Z Series Diesel Forklift



## ■ Technical Features

### Safe & Reliable

- Reinforced mast with wide view design improves efficiency and safety.
- Engine is with large torque and capacity, which is powerful and can meet different operation demands.
- Lifting system is equipped with up and down buffer cylinders, which reduce shock and vibration efficiently.
- Hydraulic system is equipped with the throttling valve, which makes operation safe and reliable.

### Comfortable & Practical

- Scientific ergonomic design makes operation more portable and comfortable. Seat and backrest are adjustable. Steering wheel tilt angle is also adjustable, which leaves more legroom. Shift operation is quick and simple.
- The forklift are nice in appearance with streamline design. The work stably with high efficiency and good grade ability and can be operated in bad working conditions.
- Integral overhead guard, disposable stamping ceiling, equipped with five transparent plastic cover, with good lighting and rain protective features.



## ■ Technical Parameters

### ■ Characteristics:

Specifications		FD30Z	FD30Z	FD35Z
Power	-	Diesel	Diesel	Diesel
Transmission	-	Hydraulic	Manual	Hydraulic
Rated capacity	kg	3000	3000	3500
Center of load	J (mm)	500	500	500
Lifting height	h1 (mm)	3000	3000	3000
Free lifting height	h3 (mm)	145	145	145
Forks (L x W x H)	L5 x W x T (mm)	1070 x 125 x 45	1070 x 125 x 45	1070 x 125 x 45
Tilt forward/backward	°	6/12	6/12	6/12
Min. turning radius	R1 (mm)	2600	2600	2600
Min. ground clearance (Mast)	m (mm)	120	120	120
Overhead guard height	h4 (mm)	2170	2170	2170
Height from seat to overhead guard	L3 (mm)	480	480	480
Front overhang	L4 (mm)	545	545	545

### ■ Performance:

Specifications		FD30Z	FD30Z	FD35Z
Max. travelling speed (loaded)	km/h	20	20	20
Max. lifting speed (loaded/empty)	mm/s	470/520	470/520	470/520
Drawbar pull/gradeability	kN/%	18/20	18/20	18/20

### ■ Dimensions:

Specifications		FD30Z	FD30Z	FD35Z
Overall length (without fork)	L1 (mm)	3895	3895	3895
Overall width	W1 (mm)	1230	1230	1230
Mast lowered height	h2 (mm)	2065	2065	2095
Mast extended height	mm	4260	4260	4265

## Chassis:

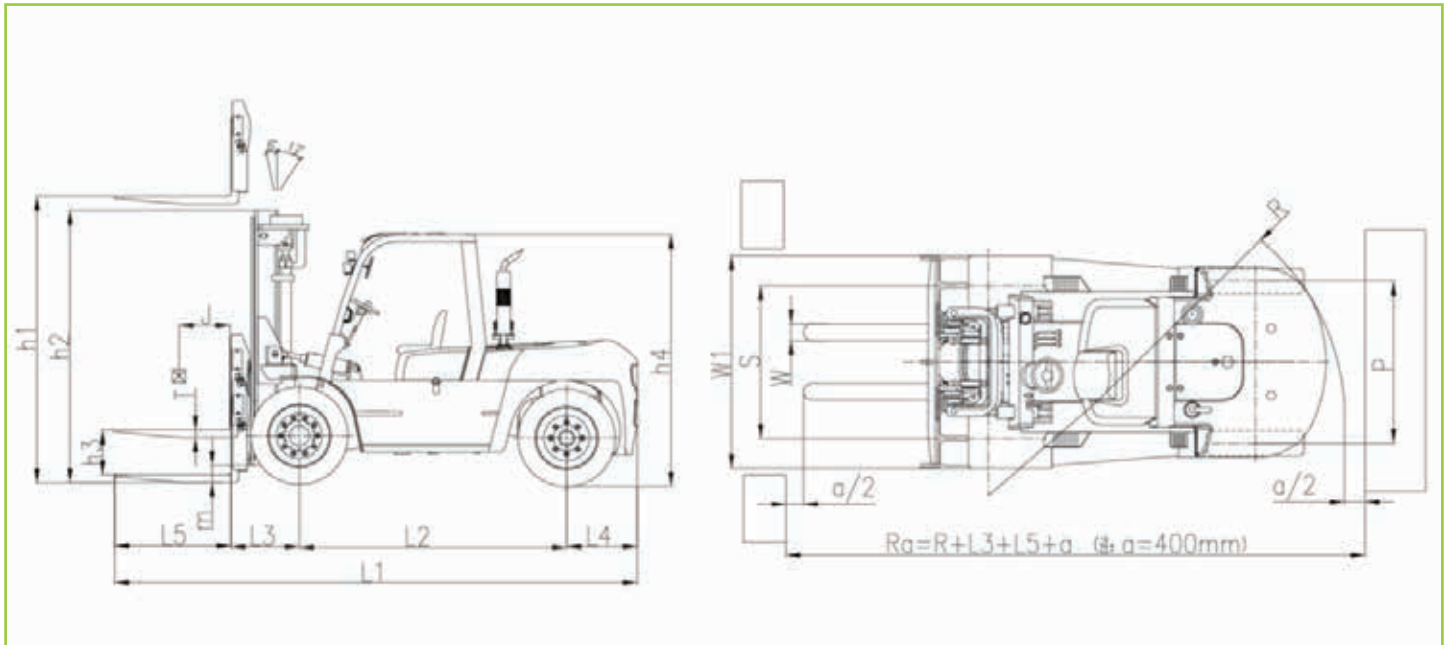
Specifications			FD30Z	FD30Z	FD35Z
Tire	Front	-	28x9-15-12PR	28x9-15-12PR	28x9-15-12PR
	Rear	-	6.50-10-10PR	6.50-10-10PR	6.50-10-10PR
Wheelbase	L2 (mm)		1800	1800	1800
Tread width (Front/Rear)	S/P (mm)		1000/970	1000/970	1000/970
Curb weight (None-load)	kg		4250	4250	4450

## Powertrain:

Specifications			FD30Z	FD30Z	FD35Z
Battery (Voltage/Capacity)	V/Ah		12/90	12/90	12/90
Engine	Model	-	C240PKJ	C240PKJ	C240PKJ
	Rated power	kW/r.p.m	34.3/2500	34.3/2500	34.3/2500
	Rated torque	N·m/r.p.m	137.7/1800	137.7/1800	137.7/1800
	Cylinder amount	-	4	4	4
	Bore x stroke	mm	86 x 102	86 x 102	86 x 102
	Displacement	L	2.369	2.369	2.369
Fuel tank	L		70	70	70
Transmission	-		Automatic	Manual	Automatic
Working pressure	MPa		17.5	17.5	17.5

Standard configuration				Options		Attachment
<ul style="list-style-type: none"> <li>• Wideview mast</li> <li>• Standard fork</li> <li>• Standard seat</li> <li>• Handle</li> <li>• Timer</li> <li>• Backrest</li> <li>• Light switch</li> <li>• Toolbox</li> <li>• Rubber pad</li> <li>• Tornado air filter</li> </ul>	<ul style="list-style-type: none"> <li>• 2 piece multi valve</li> <li>• Rear lamp</li> <li>• Neutral indicator</li> <li>• Electric horn</li> <li>• Turning signal</li> <li>• Service brake</li> <li>• Traction pin</li> <li>• Headlamp</li> <li>• Parking brake</li> <li>• Rearview mirror</li> </ul>	<ul style="list-style-type: none"> <li>• Speed limit valve</li> <li>• Engine flameout device</li> <li>• Oil pressure indicator</li> <li>• Durable pneumatic tire</li> <li>• Key switch</li> <li>• Overhead guard</li> <li>• Reversing light</li> <li>• Reversing buzzer</li> <li>• Hydraulic oil return filter</li> <li>• Hydraulic oil intake filter</li> </ul>	<ul style="list-style-type: none"> <li>• Hydraulic powered steering</li> <li>• Adjustable steering wheel</li> <li>• Upper air intake device</li> <li>• Tilt oil passage self-locking valve</li> <li>• Water temperature gauge</li> <li>• Combined instrument panel</li> <li>• Hydraulic oil level gauge</li> <li>• Lifting &amp; tilting handle</li> </ul>	<ul style="list-style-type: none"> <li><input type="checkbox"/> Cab</li> <li><input type="checkbox"/> Heater</li> <li><input type="checkbox"/> Solid tyre</li> <li><input type="checkbox"/> Rear light</li> <li><input type="checkbox"/> Mini fan</li> <li><input type="checkbox"/> Double filter</li> <li><input type="checkbox"/> File clip</li> <li><input type="checkbox"/> Windshield</li> <li><input type="checkbox"/> Luxury seat</li> <li><input type="checkbox"/> High exhaust</li> </ul>	<ul style="list-style-type: none"> <li><input type="checkbox"/> Fire extinguishing muffler</li> <li><input type="checkbox"/> Rotary work alarming light</li> <li><input type="checkbox"/> Fire extinguisher</li> <li><input type="checkbox"/> Engine preheater</li> <li><input type="checkbox"/> Optional painting</li> <li><input type="checkbox"/> Tilt cylinder dust cover</li> <li><input type="checkbox"/> Two/three stage full-free mast</li> <li><input type="checkbox"/> Double front tire and protector</li> <li><input type="checkbox"/> Exhaust smoke purification muffler</li> </ul>	<ul style="list-style-type: none"> <li><input type="checkbox"/> Side shifter</li> <li><input type="checkbox"/> Fork positioner</li> <li><input type="checkbox"/> Hinged fork</li> <li><input type="checkbox"/> Carpet boom</li> <li><input type="checkbox"/> Extended fork</li> <li><input type="checkbox"/> Fork cover</li> <li><input type="checkbox"/> Lifting boom</li> <li><input type="checkbox"/> Paper roll clamp</li> <li><input type="checkbox"/> Bare clamp</li> <li><input type="checkbox"/> Rotator</li> <li><input type="checkbox"/> Barrel clamp</li> </ul>

## ■ 2D Graph



This document is not contractual - The **TANEKO**<sup>®</sup> company reserves the right to modify any of the characteristics stated in this document without notice, in a constant effort to improve the quality of its products. \*ISO 8528.

Weights and dimensions based on standard products. Illustrations may include optional equipment.  
Technical data described in this catalogue correspond to the available information at the moment of printing.

